

Trad Safety Nets

Windmill Green, Mount Street



Trad Safety Net Fans

1. What is it?

Typically used as a safeguard against falling objects. Traditionally, scaffold fan boards have been used.

On Mount Street

- Trad safety nets used at Level 2 (Pedestrian Level)
- Mini Catch Fans at Level 5 being used for the first time in the UK!

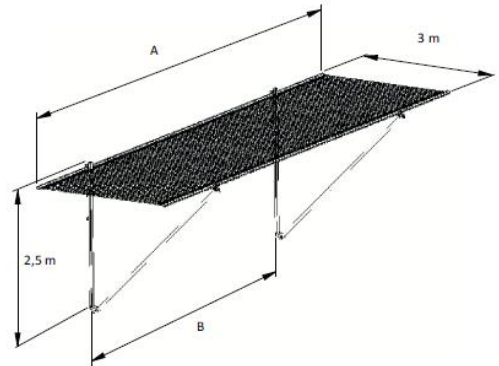


Trad Safety Net Fans

2. How does it work?

a) Trad Catch Fan Systems

- 3.2m cantilever from edge of building
- Comes in 4m wide and 6m wide sections
- Consists of 60mm x 60mm net
 - which can take up to 100 kg through 7m
 - And 20mm x 20mm overlay net to contain smaller items
- These are being used at the pedestrian level (Level 2) on Mount Street.



Trad Safety Net Fans

2. How does it work?

a) Trad Catch Fan Systems



These are being used at the pedestrian level (Level 2) on Mount Street.



Trad Safety Net Fans

2. How does it work?

b) Trad Mini Catch Fan Systems

INNOVATION

- First time being used on a UK site!
- Cantilevers 2m
- Comes in 2 sizes
 - 4m wide
 - 6m wide sections
- Design for scaffolding loads of up to 39kg



Trad Safety Net Fans

2. How does it work?

b) Trad Mini Catch Fan Systems

INNOVATION

- First time being used in a UK site!



Trad Safety Net Fans

3. Safety

- SSoW meeting Kier's Minimum Standards

- Access for scaffolders
During erection of mini catch fans,
 - Scaffolders NOT in a high risk situation
 - Fast to erect as the fans simply open up

- Trad Systems have trained:
 - Scaffolders for installation
 - Kier site managers for inspection



Trad Safety Net Fans

4. Programme

- Both systems are very fast to erect
 - Helps in tight scheduled programmes



Trad Safety Net Fans

5. Commercial

- Cost benefits
- Expected cost on Mount Street
 - 16 no. 6m catchfans with scaffold attachment = £352 per week hire
 - 30 no. mini catchfans = £600 per week hire

