
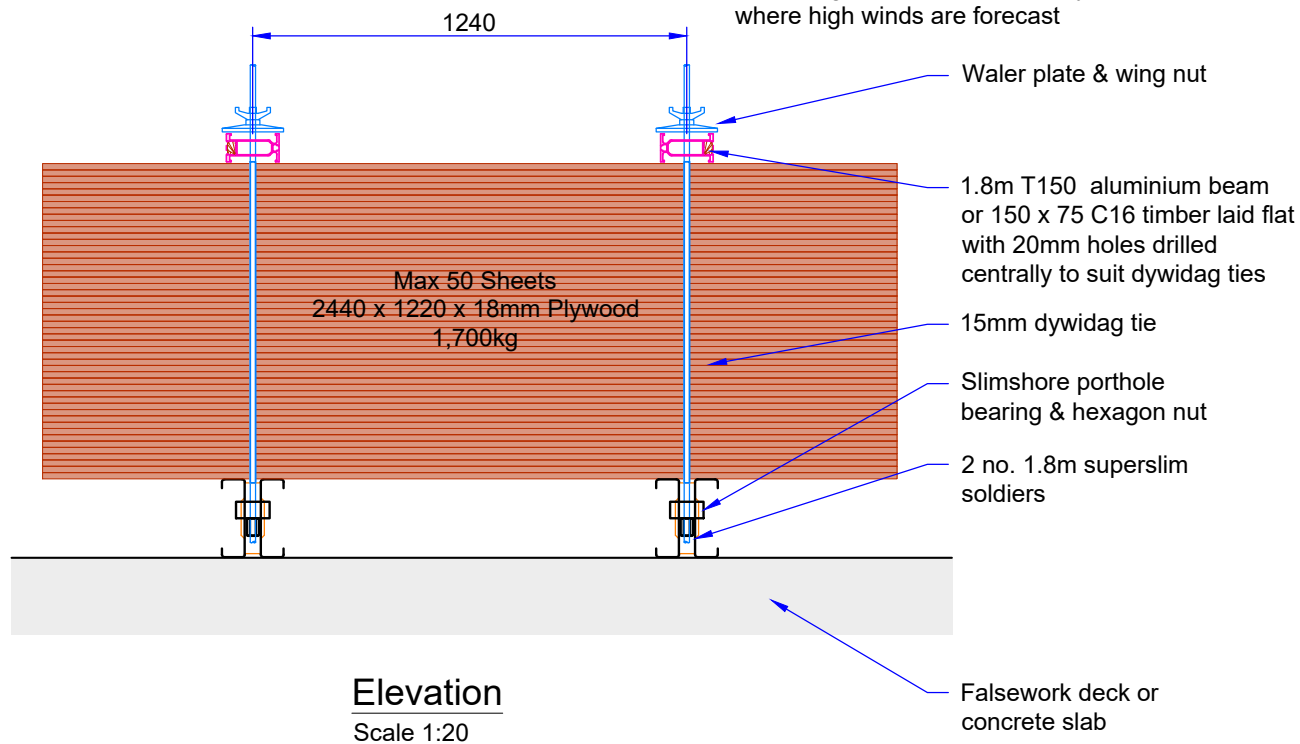
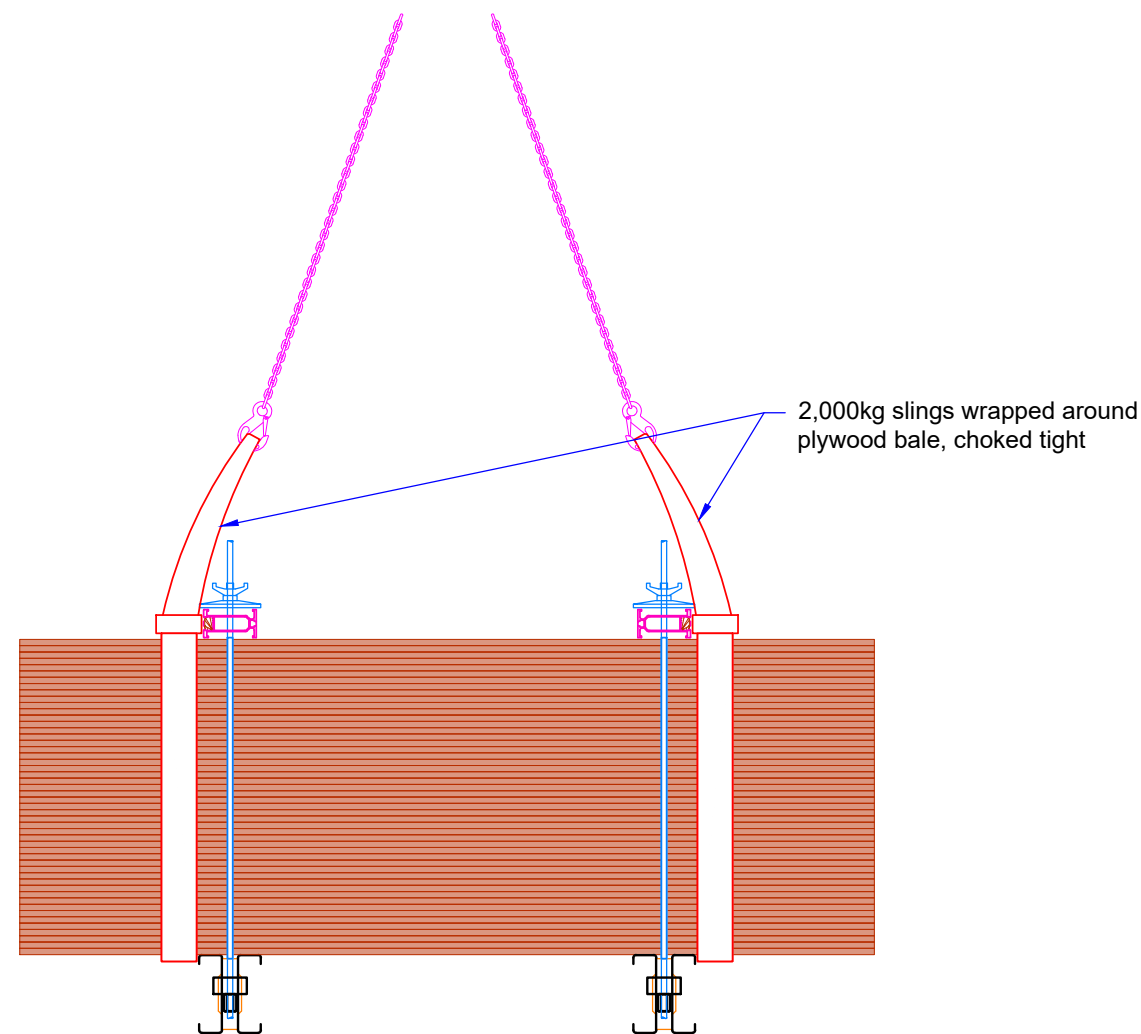


Section A-A
Scale 1:20

 A minimum of 10 sheets of plywood should be stored together at the end of any work period where high winds are forecast



Elevation
Scale 1:20



Lifting Detail
Scale 1:20



Dublin Office
3a Connolly Crescent, Kinsealy Lane,
Malahide, Co. Dublin, Ireland
London Office
4-6 Spicer Street, St. Albans, Herts,
AL3 4PQ, England

Tel (IRL) +353 (0)87 662 5183 E-mail: info@nke.ie
Tel (UK) +44 (0)7455 819 361 E-mail: info@kealyengineering.co.uk

Drawing Number **NK-1307-054** Rev **01**

Job Title West End Gate	Drawing Status For Approval
Drawing Title Plywood Storage & Lifting Details	Client Foundation Developments Ltd.
Drawn dg	Checked nk
Scale on A3 1:20	Date 09.10.2018

Revision Details	By	Date	Suffix